



TEV-105D

Manual

ATAL B.V.
Ampèrestraat 35-37
NL-1446 TR PURMEREND

Postbus 783
NL-1440 AT PURMEREND

T (+31) 0299 630 610
F (+31) 0299 630 611

E info@atal.nl
I www.atal.nl

Content

Device setting from the manufacturer	3
Dimensions:	4
Device installation	5
Setting of pressure correction for altitude	5
Device mounting.....	5
Device demounting.....	6
Typical application wiring, connection of terminals.....	6
Info mode	7
Readings on LCD display	7
Technical parameters of the device:	8
Procedure of modification of device adjustment:.....	9
Error States of the device	10
End of operation.....	11
Technical support and service	11

Instruction Manual

Device type	Temperature	Humidity	Computed value	Pressure	Output name
TEV-105D	✓	-	-	-	U1
PV-105D	-	-	-	✓	U1
TRV-105D	✓	✓	✓	-	U1, U2

Devices are designed for indoor applications. By device type (see previous table) they can measure ambient temperature at °C or °F, relative humidity of air without aggressive ingredients or atmospheric pressure at hPa, PSI, inHg, mBar, oz/in², mmHg, inH₂O or kPa. Unit choice is provided by User's software – see later. It is possible to choose one of the following computed value (for TRV-105D device only): dew point temperature, absolute humidity, specific humidity, mixing ratio or specific enthalpy. Device PV-105D supports pressure correction for altitude setting (offset).

All device setting is performed by means of the PC connected via the optional ATS-AC17 communication cable (not included in delivery) and User's software *Tsensor*. Program enables to set own device output range, unit selection and make an adjustment process. For TRV-105D device allows to assign required measured value to one of the two device outputs, it means assign temperature, relative humidity or computed value to output Uout1 or Uout2 and set its range. It is also possible to assign both outputs to the same value (with the same range), if two evaluation devices are necessary to connect. Both voltage outputs have common ground with power source (GND terminal).

Measured and computed values are optionally shown on dual line LCD display. If there are two values displayed at one LCD line, they are periodically switched between both readings with period of 4 seconds. Display can be switched OFF totally too.

Temperature, relative humidity eventually pressure sensors are non-removable device parts. Please read instruction manual before the first device connection.

Device setting from the manufacturer

If special setting was not required in the order device is set from the manufacturer to the following parameters:

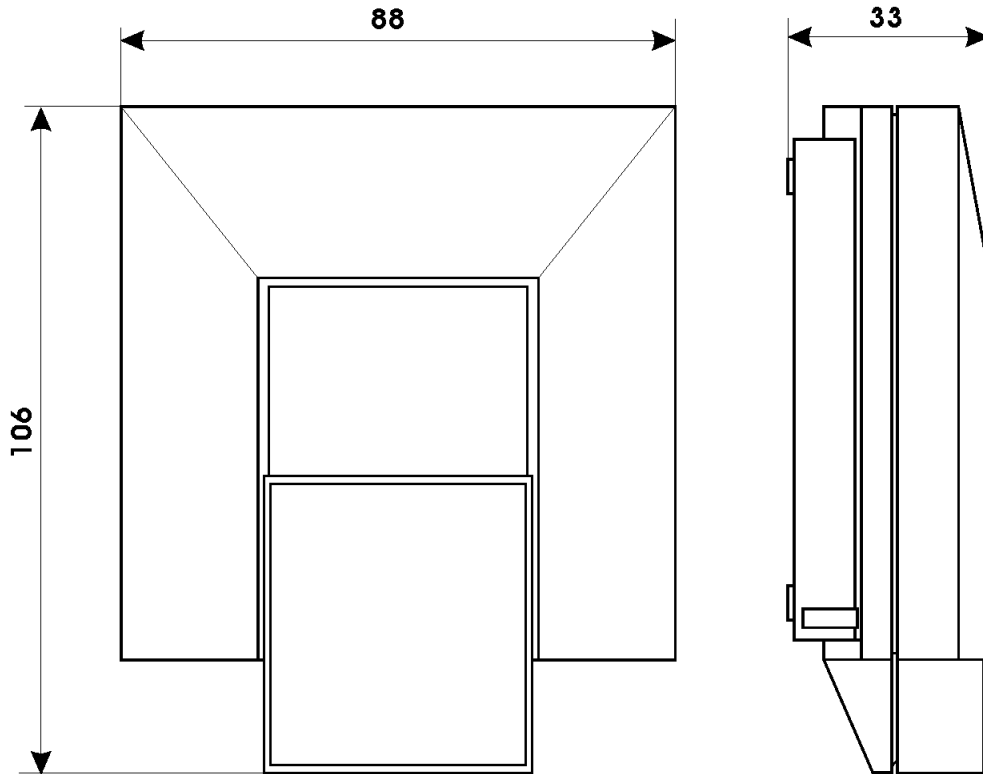
TEV-105D: output Uout1: temperature, range from 0 to 10 V corresponds with **-10 to +50 °C**

PV-105D: output Uout1: atmospheric pressure,
range from 0 to 10 V corresponds with **800 to 1100 hPa**
correction for altitude **0 hPa** (absolute pressure)

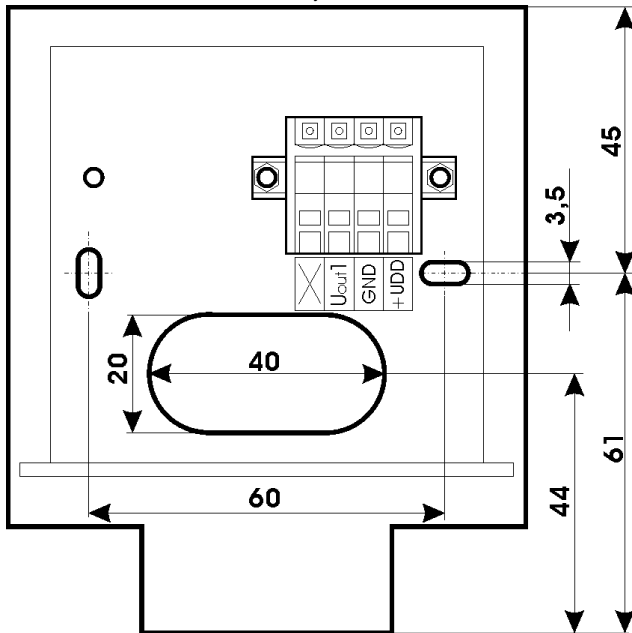
TRV-105D:
output Uout1: relative humidity, range from 0 – 10 V corresponds with **0 to 100 % RH**
output Uout2: temperature, range from 0 to 10 V corresponds with **-10 to +50 °C**
LCD display: switched ON

Change of this manufacturer device setting is possible with the PC connected via the optional ATS-AC17 communication cable and User's software *Tsensor* as described at the end of this document.

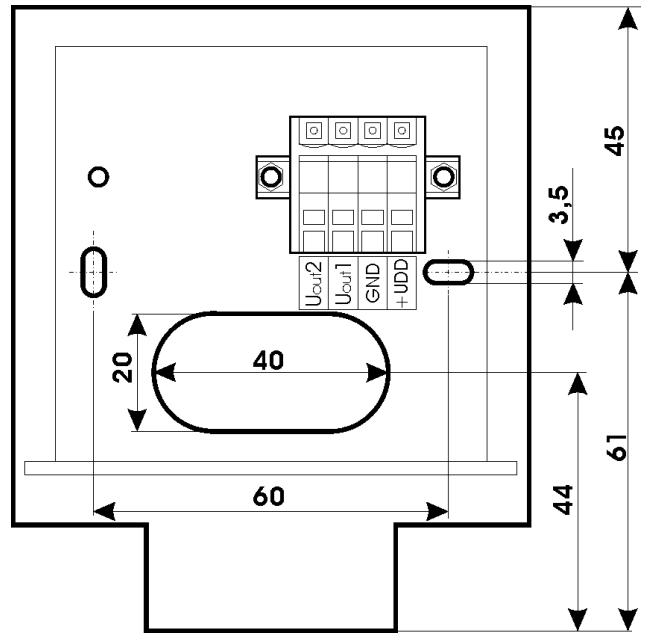
Dimensions:



TEV-105D, PV-105D



TRV-105D



Device installation

Devices are designed for indoor applications. It is recommended to mount them on universal wiring box (common installation box KU68) with using two enclosed mounting screws. For correct function there is necessary to find proper device place. It shouldn't be placed at places where it can be affected by sunshine, near radiators, heating elements and other heat sources, air handlers, windows, doors, into racks and shelves and similar places. For buildings with less thermal insulation there is not suitable to place them on external walls of building. If there are communication conductors placed into conduit, there is strongly recommended make it caulk, to restrict air flow around device.

It is recommended to use shielded copper cable (e.g. SYKFY), maximal length 15m. The cable must be located at indoor rooms (device is not protected for outdoor use). Connect cables to terminals with respecting the signal polarity (see figure). Terminals are self-clamping and can be opened by a suitable screwdriver. For the opening, insert the screwdriver to upper terminal hole and lever by him. The cable should not be led in parallel along power cabling. Safety distance is up to 0.5 m otherwise undesirable induction of interference signals can appear.

Electrical system (wiring) may do only worker with required qualification by rules in operation.

Setting of pressure correction for altitude

For device PV-105D only! If there is necessary to read value of atmospheric pressure corrected with respect to altitude, it is possible to set corresponding pressure offset for this altitude. It is possible to do it with Users software. This value is then automatically added to measured pressure value. The resultant value of pressure with added correction for altitude must be between 300 hPa and 1350 hPa (from 4.351 PSI to 19.580 PSI). Outside this range device sends value of Error 2!

Device mounting

Firstly mount back part of device onto wiring box with two holding screws. Connect cables to terminals with respecting the signal polarity (see figure). Terminals are self-clamping and can be opened by a suitable screwdriver. For the opening, insert the screwdriver to upper terminal hole and lever by him. Then insert front part of device firstly at bottom into hinge and then press both parts together – see figure1

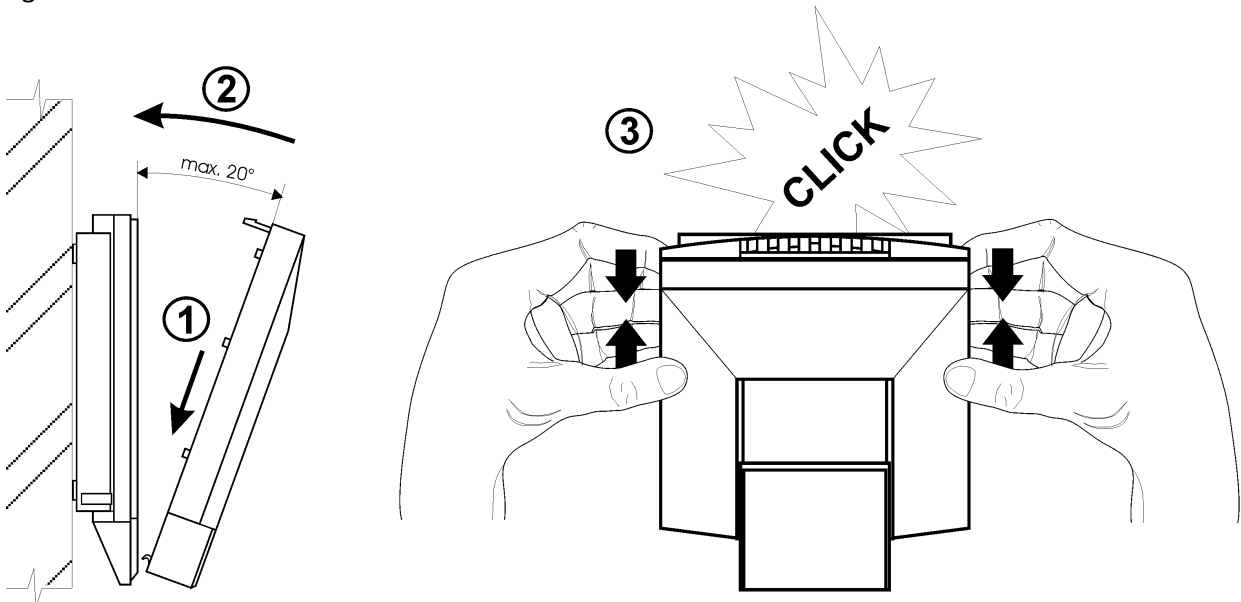


Figure1: Device mounting

Device demounting

If there is necessary demount the device, insert flat bladed screwdriver max. 3.5 mm wide from top side into middle device's air hole. There is fastening member placed, insert screwdriver **beyond** the fastening member about 2 cm deep – number ① at the picture. Then slightly move screwdriver in arrow direction ② as shown at the picture. It unlock fastening member and the device is partially opened. Remove the screwdriver and take front part of device at top, see number ③ at the picture. Pull front part with pendulum motion, remove front cover, numbers ④ and ⑤ at the picture.

If there is necessary remove back part of device, please disconnect cables and unscrew two holding screws.

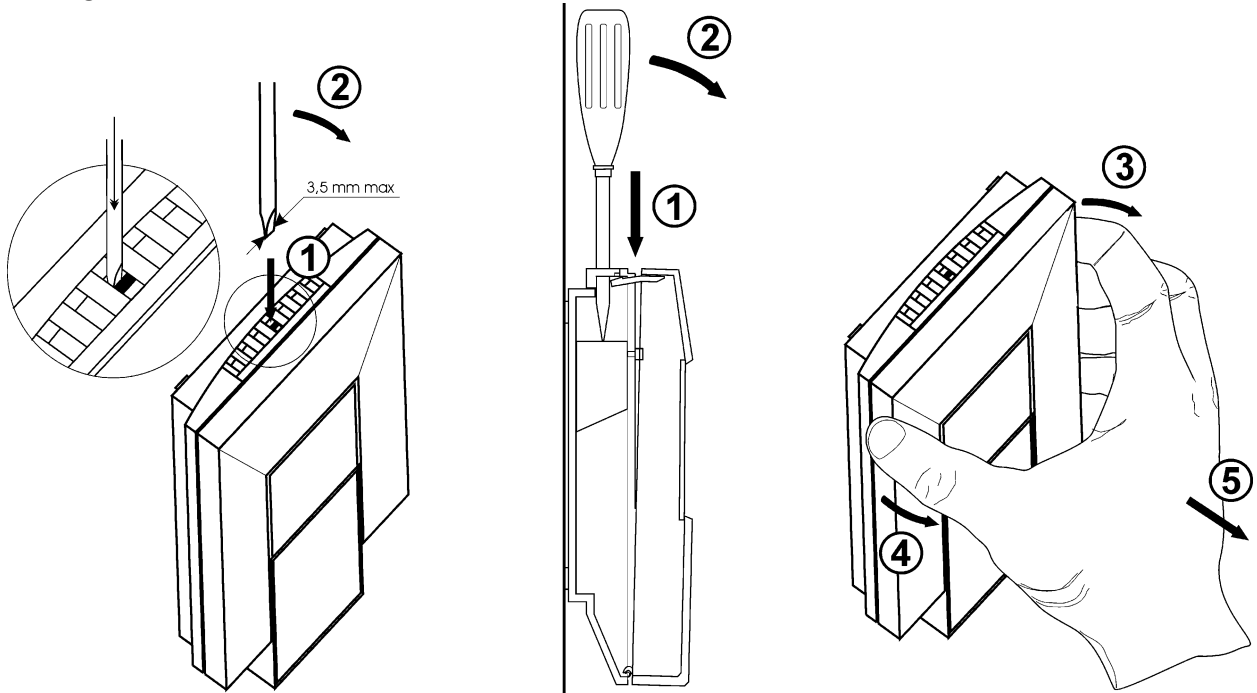
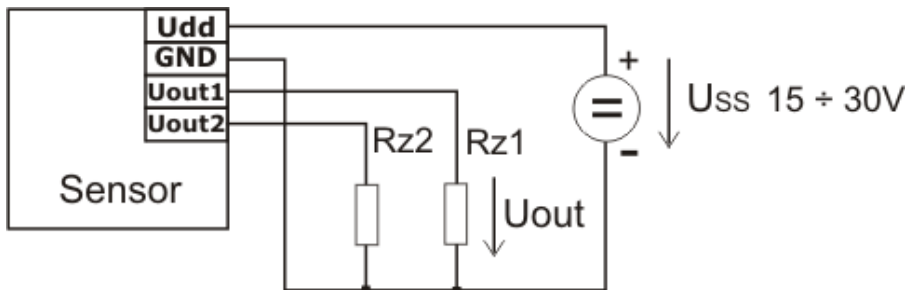


Figure2: Device demounting

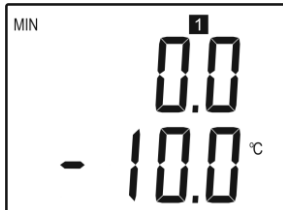
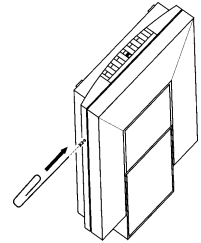
Typical application wiring, connection of terminals



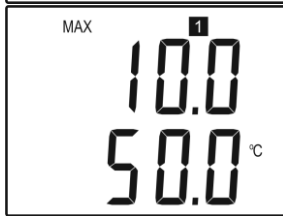
Maximum load current of each voltage output is 0.5 mA.

Info mode

If you would like to check output range settings, it is possible to verify without a use of the computer. It is necessary to connect the power. **Button** is placed behind small hole on the left side of the device (front view). For button pressing use thin instrument, for example paper clip.



Short button press shows low range and type of measured value for first output (output Uout1, at LCD indicated by symbol „1“). Type of measured value is indicated with appropriated value unit. (here °C = temperature). Upper line shows voltage value which is assigned to value of measured value (lower display line). Here 0 V corresponds with temperature of -10 °C.



Next button press shows values for upper scale limit. (the same channel, the same value) by the same rules as at previous case. Here 10 V corresponds with temperature of 50 °C.

For TRV-105D device there is analogously shown Uout2 output setting.

Next press of button exits info mode and actual measured values are displayed.

Note: For atmospheric pressure device PV-105D there is at the lower LCD line shown voltage value assigned to atmospheric pressure value shown at upper LCD line.

Note: No measurement and communication is possible during info mode. If device stays in info mode for longer than 15 s, device automatically returns to measuring cycle.

Readings on LCD display

°C, °F

Reading next to this symbol is measured temperature or error state of value.

%RH

Reading next to this symbol is measured relative humidity or error state of value.

hPa, PSI, inHg,

Reading next to this symbol is measured pressure or error state of value. If selected pressure unit is **mBar** or **oz/in²** or **mmHg** or **inH₂O** or **kPa**, there is shown only value (number) without corresponding pressure unit!

°C / °F DP

Reading next to this symbol is calculated dew point temperature or error state of value.

g/m³

Reading next to this symbol is calculated absolute humidity or error state of value.

g/kg

Reading next to this symbol is calculated specific humidity or mixing ratio (depends on device setting) or error state of value.

If specific enthalpy is selected, there is shown only value (number) without corresponding unit!

Technical parameters of the device:

Accuracy data shown are for value displayed on LCD display. For value on analogue output is valid too, if selected output range is set inside measuring range.

Analogue outputs:

TEV-105D, PV-105D: one output channel Uout1, range from 0 to 10 V

TRV-105D: two outputs Uout1 and Uout2, range from 0 to 10 V with common ground

Voltage output in case of error: approximately -0.1 V or >10.5 V

Output load capability: min. 20 k Ω

Power: 15 to 30 V dc, maximum ripple 0.5 %, maximum load 20 mA

Measuring parameters:

Ambient temperature – TEV-105D, TRV-105D:

Measuring range: -10 to $+50$ °C

Display resolution: 0.1 °C

Accuracy: ± 0.5 °C

Response time: air flow approximately 0.3 m/s $t_{90} < 12$ min

No air flow $t_{90} < 25$ min

Atmospheric pressure – PV-105D only:

- accuracy of value shown on LCD display:

Unit	hPa, mBar	PSI	mmHg	inHg	inH ₂ O	oz/in ²	kPa
Range	600	8.70	450.0	17.72	240.9	139.2	60.00
	1100	15.95	825.1	32.48	441.6	255.3	110.00
accuracy							
T=23 °C	± 1.3	± 0.02	± 1.0	± 0.04	± 0.5	± 0.3	± 0.13
0 \leq T \leq 40°C	± 1.5	± 0.02	± 1.1	± 0.04	± 0.6	± 0.3	± 0.15
Else	± 2.0	± 0.03	± 1.5	± 0.06	± 0.8	± 0.5	± 0.20

Output accuracy: \pm (accuracy of value shown on LCD display + 0.06% FS)hPa

Response time ¹: $t_{90} < 44$ s

Relative humidity - TRV-105D only

(reading is temperature compensated at entire temperature range):

Measuring range: 5 to 95 %RH (see Device installation)

Display resolution: 0.1 %RH

Accuracy: ± 2.5 %RH for range from 5 to 60 %RH,

± 3 %RH for range from 60 to 95 %RH, at 23 °C

Response time: $t_{90} < 30$ s (air flow approximately 1 m/s, relative humidity step 65 %RH, constant temperature)

¹ There is possible to change response time. For more details see file "Description of calibration and adjustment procedure.pdf", which is installed together with Users software.

The value computed from ambient temperature and relative humidity - TRV-105D only:

You can choose one of the next values.

Display resolution: 0.1 °C

Dew point temperature

Accuracy: ± 1.6 °C at ambient temperature $T < 25$ °C and $RH > 30$ %

Range: -60 to +80 °C

Absolute humidity

Accuracy: ± 3 g/m³ at ambient temperature $T < 40$ °C and $RH < 95$ %

Range: 0 to 400 g/m³

Specific humidity²

Accuracy: ± 2 g/kg at ambient temperature $T < 35$ °C and $RH < 95$ %

Range: 0 to 550 g/kg

Mixing ratio²

Accuracy: ± 2.2 g/kg at ambient temperature $T < 35$ °C and $RH < 95$ %

Range: 0 to 995 g/kg

Specific enthalpy²

Accuracy: ± 3.5 kJ/kg at ambient temperature $T < 25$ °C and $RH < 95$ %

Range: 0 to 995 kJ/kg

Recommended calibration interval: **TEV-105D** 2 years
PV-105D, TRV-105D 1 year

Measuring interval and LCD display refresh: 0.5 s, PV-105D 2 s

Communication with computer: via USB port by means of USB communication cable ATS-AC17

Protection: IP20

Operating conditions:

Operating temperature range: -10 to +50 °C

Operating humidity range: 0 to 100 %RH (without condensation)

Outer characteristics in accordance with EN33-2000-3 normal environment with the specifications: AE1, AN1, BE1

Electromagnetic compatibility: complies EN 61326-1

Storing conditions: temperature -30 to +80 °C, humidity 0 to 100 %RH without condensation

Not allowed manipulations: It is not allowed to operate the device under other than specified conditions in technical parameters. Devices are not designed for locations with chemically aggressive environment. Temperature and humidity sensors must not be exposed to direct contact to water or other liquids. **Do not use the device in an explosive environment.**

Dimensions: 106 x 88 x 33 (h x l x d)

Weight: approximately 150 g

Material of the case: ABS

Procedure of modification of device adjustment:

- device adjustment is performed by means of the optional ATS-AC17 communication cable, connected to USB port of the PC.

² This value depends on the atmospheric pressure. For computing there is used constant value stored inside the device memory. Default value preset by manufacturer is 1013hPa and can be changed by user's software.

- It is necessary to have installed configuration program Tsensor on the PC. During installation please take care about installation of driver for USB communication cable
- Demount the device (see chapter “Device demounting”)
- Connect ATS-AC17 communication cable to the device and PC. Installed USB driver detect connected cable and create virtual COM port inside the PC. Display must light up, or at least must light up all symbols for one second (if LCD was switched OFF by program before).
- Run installed Tsensor program and select corresponding communication COM port (as described above)
- Now make new device setting throw Tsensor program
- When new setting is saved and finished, disconnect the cable from the device and mount the device.

Error States of the device

Device continuously checks its state during operation. In case error is found LCD displays corresponding error code:

Error 0

First line displays „Err0“.

Check sum error of stored setting inside device’s memory. Output value is <-0.1 V. This error appears if incorrect writing procedure to device’s memory occurred or if damage of calibration data appeared. At this state device does not measure and calculate values. It is a serious error, contact distributor of the device to fix.

Error 1

Measured or calculated value except in pressure is over upper limit of allowed full scale range. There is a reading „Err1“ on LCD display. Output value is about 10.5 V.

This state appears in case of:

- Measured temperature is higher than approximately 600°C (i.e. high non-measurable resistance of temperature sensor, probably opened circuit).
- Relative humidity is higher than 100%, i.e. damaged humidity sensor, or humidity calculation of humidity is not possible (due to error during temperature measurement)
- Computed value – calculation of the value is not possible (error during measurement of temperature or relative humidity or value is over range)

Error 2

There is a reading „Err2“ on LCD display. Measured or calculated value is below lower limit of allowed full scale range or atmospheric pressure error occurred. Output value is about -0.1 V.

This state appears in case of:

- Measured temperature is lower than approximately -210°C (i.e. low resistance of temperature sensor, probably short circuit).
- Relative humidity is lower than 0%, i.e. damaged sensor for measurement of relative humidity, or calculation of humidity is not possible (due to error during temperature measurement)
- Computed value – calculation of computed value is not possible (error during measurement of temperature or relative humidity)
- Measured pressure value **with added correction for altitude** is outside of range from 300 hPa to 1350 hPa (from 4.351 PSI to 19.580 PSI) or the pressure sensor is damaged. Please check setting of pressure correction for altitude with User’s software.

Error 3

There is a reading „Err3“ on LCD display upper line.

Error of internal A/D converter appeared (converter does not respond, probably damage of A/D converter). This error does NOT affect pressure measurement. Rest values are NOT measured. Output value is about -0.1 V. It is a serious error, contact distributor of the device.

Error 4

There is a reading „Err4“ on LCD display. It is internal device error during pressure sensor initialization. Under this condition device does NOT measure atmospheric pressure Output value is about -0.1 V. Pressure sensor is probably damaged. It is a serious error, contact distributor of the device.

End of operation

Device itself (after its life) is necessary to liquidate ecologically!

Technical support and service

Technical support and service is provided by distributor.